

AEROSTAR

by AeroStar GROUP



VENTILATION FOR HOUSEHOLD SEGMENT

AEROSTAR GROUP

Manufacturer of modern energy efficient ventilation equipment Aerostar

Why us?

We manufacture the full range of equipment for ventilation and air conditioning: air handling units of different capacity (from 300 to 100,000 m³ / h), duct ventilation equipment; refrigeration and air conditioning equipment, chillers, fan coils; industrial adsorption dehumidifiers.

Over past 13 years of our work we are trusted by more than

7500

clients from all over the world.

Our advantages:

COMPLEX ENERGY
SAVING SOLUTIONS

3-YEARS
WARRANTY

24/7 SUPPORT
SERVICE

ONLY TRUSTED AND HIGH-QUALITY COMPONENTS



VENTILATION FOR HOUSEHOLD SEGMENT

Modern housing is about comfort, safety and energy efficiency by default. Ventilation in the apartment / private house is a concern for the health of residents. It provides sense of well-being and sound sleep. The ventilation system maintains the required level of oxygen in the air and controls the CO2 content. Protects from dust and dirt. Filters allow only cleared fresh air from the street to be supplied to the room.



MAINTAINS OPTIMAL HUMIDITY IN THE ROOM

Provides the correct water balance of skin and hair, no dryness. Static surface tension disappears and there is almost no dust in the apartment.



AIRING IS NOT AN ALTERNATIVE TO VENTILATION

This will not provide a comfortable climate and the necessary air parameters. Open windows are the source of noise, dust, unpleasant odors and insects from the street, cold drafts, and the most important – the cause of heat loss.

What will you get?



Quiet equipment that will not interfere with your work or rest.



Thanks to the most energy-efficient components you save on electricity bills.



All units are equipped with a built-in Wi-Fi module that allows you to control the basic parameters of Aerostar equipment using a smartphone from any part of the world.



Easy to install and configure equipment because it is supplied with a "Plug-and-Play" system.



The equipment is delivered in the compact case, easily adapts to the interior.



You get all the units already with built-in automation. Controllers and all control elements are configured and ready to use.

CONVENIENCE OF USING THE EQUIPMENT

Thanks to the built-in automation the following functions are available:

- ⊕ control over the valves with servodrives, steam humidification and other available options.
- ⊕ smooth maintenance of the supply air temperature;
- ⊕ automatic restart of the installation after a power failure;
- ⊕ limiting the range of values of adjustable parameters that are set.
- ⊕ maintenance of the supply air temperature;
- ⊕ alarm system with failure display on smartphone or remote control panel (optional);
- ⊕ receiving a signal about the contamination of the filters;
- ⊕ free-cooling – technology of cooling the room by means of environment without the use of compressors and other energy-intensive equipment;



AEROSTAR APP – control over climate equipment with smartphone

This make it possible to:

- ⊕ control the parameter of equipment operation;
- ⊕ manage the settings;
- ⊕ contact the service support of AEROSTAR at any time 24/7;
- ⊕ check all the settings on one screen;
- ⊕ set individual schedule;
- ⊕ receive instant notifications of accidents or emergencies

The units are often installed in hard-to-reach ventilation chambers.

The application allows quick changing of the settings and is not somehow tied to a geographic location: it is possible to control the operation of the installation, both from a neighboring room and from anywhere in the world, which is especially important in case of force majeure.



FOR **IOS**
DEVICES

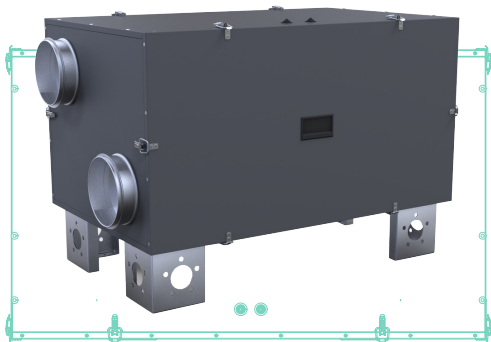


FOR **ANDROID**
DEVICES

With the Aerostar App, you can control the equipment on your own, without special knowledge.



CROSSSTAR MINI



TYPE OF THE UNIT

Energy saving supply and exhaust unit with rotary recuperator



CAPACITY

Up to 1600 m³/h



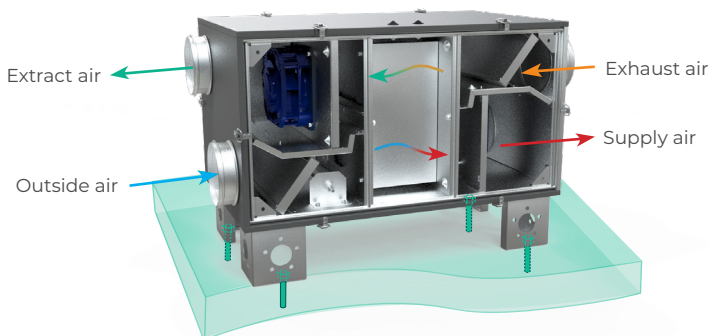
FIELD OF APPLICATION

Small rooms, such as nursery schools, offices, banks, restaurants, shops, homes and others, where savings due to minimal energy consumption are of high priority.

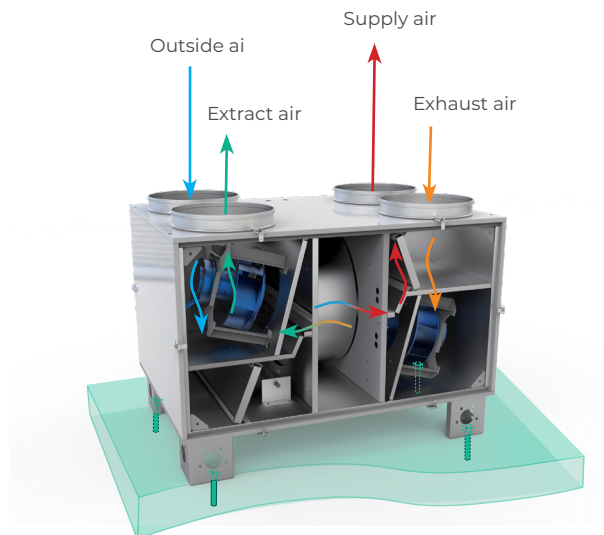


Saves up to 82% of energy and operation costs due to the most energy-efficient components.

Modification of the unit **CSMINI X** with air release aside



Modification of the unit **CSMINI XV** with air release upwards



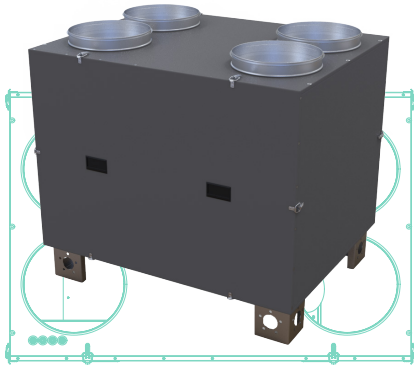
Technical data	Height (H, mm)	Width (B, mm)	Length (L, mm)	Legs (mm)	Size of the connected air ducts
CS mini 500 X	485	562	900	85	Ø 160
CS mini 750 X	550	662	950	85	Ø 250
CS mini 1000 X	628	800	1100	85	Ø 315

Technical data	Height (H, mm)	Width (B, mm)	Length (L, mm)	Legs (mm)	Size of the connected air ducts
CS mini 500 XV	485	662	900	85	Ø 160
CS mini 750 XV	550	662	950	85	Ø 250
CS mini 1000 XV	620	800	1100	85	Ø 315

ADDITIONAL OPTIONS

- ⊕ Water heating
- ⊕ Electric heating
- ⊕ Water cooling
- ⊕ Freon cooling
- ⊕ Connection of the air quality sensor / humidity sensor

ECOSTAR



* ECO-SOLUTIONS FOR MODERN HOUSING



TYPE OF THE UNIT

Energy saving supply and exhaust unit with plate recuperator



CAPACITY

Up to 1600 m³/h



FIELD OF APPLICATION

Complex solution for local ventilation of small and medium-sized residential and office premises.



Provides well-being and sound sleep.

It is important for human health that the level of carbon dioxide in the apartment does not exceed 600 ppm.



Saves up to 79% of energy and operation costs due to the most energy-efficient components.



Prevents the formation of excessive moisture.

The tightness of modern houses leads to the accumulation of moisture and formation of condensate, which threatens with the growth of fungi, mold and reproduction of dust mites.



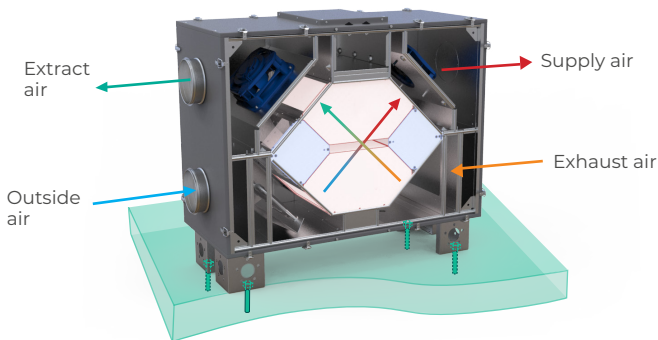
Protects against viruses, bacteria, allergens.

Filters allow only cleared fresh air from the street to be supplied to the room.

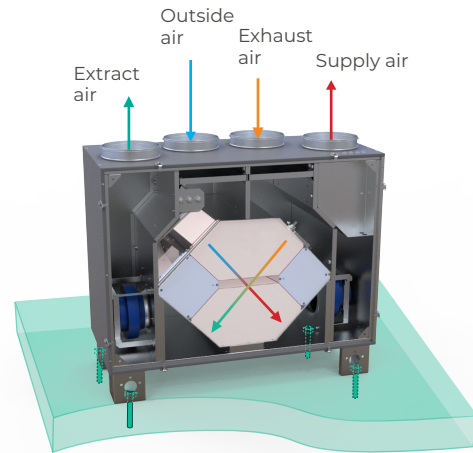


Collaboration of innovations. Comfort. Cosiness. Safety.

Modification of the unit **ECOSTAR X** with air release aside



Modification of the unit **ECOSTAR XV** with air release upwards



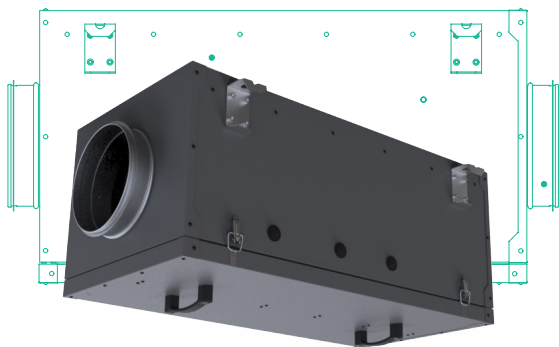
Technical data	Height (H, mm)	Width (B, mm)	Length (L, mm)	Legs (mm)	Size of the connected air ducts
ES 500 X	952	498	1070	85	∅ 160
ES 750 X	1082	1100	862	85	∅ 250
ES 1000 X	1082	1100	862	85	∅ 315

Technical data	Height (H, mm)	Width (B, mm)	Length (L, mm)	Legs (mm)	Size of the connected air ducts
ES 500 XV	942	800	662	85	∅ 160
ES 750 XV	1010	1100	862	85	∅ 250
ES 1000 XV	1010	1100	862	85	∅ 250

ADDITIONAL OPTIONS

- ⊕ Water heating
- ⊕ Electric heating
- ⊕ Water cooling
- ⊕ Freon cooling
- ⊕ Bypass
- ⊕ Connection of the air quality sensor / humidity sensor

SKYSTAR MINI



TYPE OF THE UNIT

Compact supply units with suspended mounting

CAPACITY

Up to 1400 m³/h

FIELD OF APPLICATION

Office buildings, commercial and other premises with limited space.



High noise and heat insulation of the unit.

The case is made of galvanized steel packed with foil-coated mineral wool with thickness 30 mm

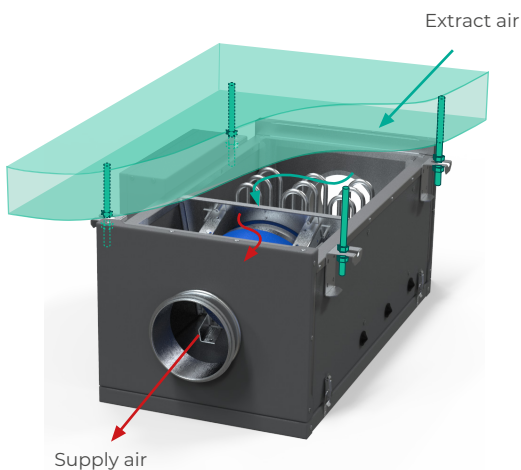


Easy to install even over a suspended ceiling, due to ultra compact case (height of installation from 345 mm).



Saves useful space of expensive commercial real estate, as it is attached to the ceiling.

Modification of the unit SKYSTAR MINI



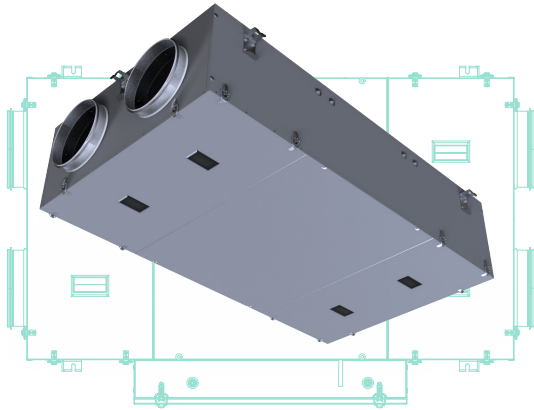
Technical data	Height (H, mm)	Width (B, mm)	Length (L, mm)	Legs (mm)	Size of the connected air ducts
SSmini 100	345	403	800	-	Ø 100
SS mini 125	345	403	800	-	Ø 125
SS mini 150	345	403	800	-	Ø 150
SS mini 200	445	503	800	-	Ø 200
SS mini 250	445	503	800	-	Ø 250
SSmini 315	445	503	800	-	Ø 315

ADDITIONAL OPTIONS

⊕ Freon cooling

⊕ Connection of the air quality sensor / humidity sensor

SLIMSTAR



TYPE OF THE UNIT

Compact multifunctional ceiling-mounted supply and exhaust unit with plate recuperator



CAPACITY

Up to 2400 m³/h



FIELD OF APPLICATION

Any type of premises such as: private houses, apartments, restaurants, salons, workshops, schools, office buildings and even "clean" premises with high air requirements.



Easy control at any time from anywhere in the world with all convenient devices.



Effective heat recovery. Saves up to 79% of energy and operation costs due to the most energy-efficient components.

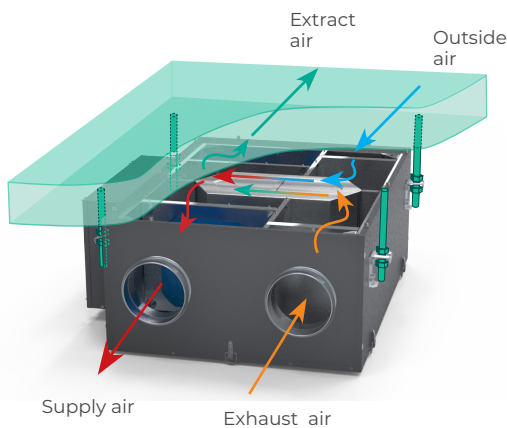


Ultra-compact case. Thickness of panels of the case is 30 mm. Reliable heat and noise insulation thanks to sandwich panels from foil mineral wool.

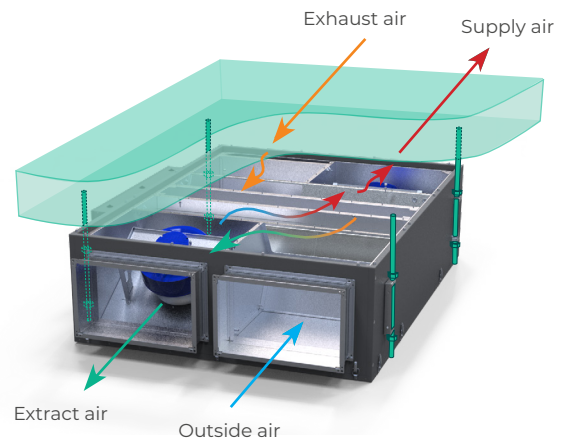


Convenient unit maintenance thanks to the removable door.

Modification of the unit SLIMSTAR with round connection (<1000 m³)



Modification of the unit SLIMSTAR with square connection (>1000 m³)



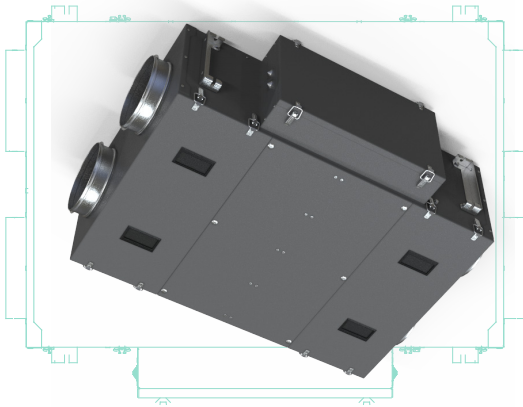
Technical data	Height (H, mm)	Width (B, mm)	Length (L, mm)	Legs (mm)	Size of the connected air ducts
SS 250 EC	360	775	1000	-	∅ 160
SS 500 EC	300	845	1350	-	∅ 200
SS 750-1000 EC	390	980	1600	-	∅ 250

Technical data	Height (H, mm)	Width (B, mm)	Length (L, mm)	Legs (mm)	Size of the connected air ducts
SS 1500 EC	500	1445	1960	-	(a×b) 500x300
SS 2000 EC	500	1845	1960	-	(a×b) 600x300

ADDITIONAL OPTIONS

- Water heating
- Electric heating
- Water cooling
- Freon cooling
- Bypass
- Connection of the air quality sensor / humidity sensor
- Steam humidification

SLIMSTAR PAP



TYPE OF THE UNIT

Compact supply and exhaust ventilation unit with plate recuperator



CAPACITY

Up to 1000 m³/h



FIELD OF APPLICATION

For air ventilation in non-industrial facilities: offices, residential buildings, educational institutions.



Effective heat recovery. Saves up to 54% of energy and operation costs due to the most energy-efficient components.



Convenient and fast installation thanks to the ultra compact case from galvanized steel, heat and noise insulated with foiled mineral wool.

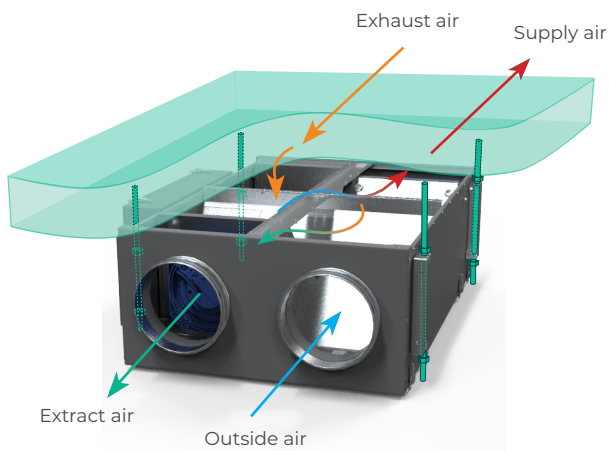


ER-paper. The unique structure of recuperator membrane allows not only to heat, but also to humidify the supply air.



Freecooling mode reduces the cost of air conditioning in the off-season, at night as well as protects against icing.

Modification of the unit **SLIMSTAR PAP 500-EC-P**



Technical data	Height (H, mm)	Width (B, mm)	Length (L, mm)	Legs (mm)	Size of the connected air ducts
SS PAP 500-EC-P	320	775	938	-	Ø 200
SS PAP 1000-EC-P	438	969	1244	-	Ø 250

REALIZED PROJECTS



Residential complex "Lisova Kazka",
Kyiv, Desnyanskyi district



Residential complex
"Panorama", Dnipro



Residential complex "Jack
House", Kyiv



Cottage community
"Green Hills" (sports complex),
Vita-Poshtova village



Residential complex Respublika
(school and nursery school), Kyiv



Business centre "Avenue 53",
Kyiv



Hotel Ribas Karpaty, Bukovel



Restaurant KFC, Kyiv



Business centre
"TSARSKY City Resort", Kyiv



Shopping Mall "Cloud Square",
Vynnytsia, Soborna Str.



Ibis Hotel, Kyiv



Business centre Hillfort,
Kyiv, 7 Mykhailivska Str.

REALIZED PROJECTS



Residential complex "Smart Plaza Polytech", Kyiv



Residential complex "Green Wood", Odesa



Residential complex "Premier Tower", Vinnytsia



Nursery school "Academy Ecoland" in Residential complex "Tetris Hall", Kyiv



Lyceum "Design-education", Boryspil



Cinema "Krakiv", Kyiv, Rusanivska Embankment



Ukrainian IT-factory UNIT Factory, Kyiv



Unit City Campus B11, B14, B15, Kyiv, Sim'i Khokhlovykh Str.



Warehouse complex of "BaDM" corporation, Dnipro



Novus, Kyiv, Bohatyrskya Str.



Residential complex "Smart Plaza Obolon", Kyiv

Aerostar Group

KYIV

03061, 95-g Vidradny Ave., office 315
tel.: +38 (044) 35 121 35
office@aerostar.ua

AEROSTAR FACTORY

03061, Kyiv, Vidradny Ave., 95-B2
tel.: +38 (044) 35 121 35
office@aerostar.ua



LVIV

79015, Geroiv UPA str. 73, office 307
tel.: +38 (067) 236 15 30 / +38 (067) 209 57 97
lviv@asys.com.ua

VINNYTSYA

street 600th anniversary, 25, 3rd floor,
office 40
tel.: +38 (067) 656 62 12
lviv@asys.com.ua

ODESSA

65012, str. V. Chornovola 4, office 35
tel.: +38 (067) 536 06 61 / +38 (067) 404 05 32 /
+38 (067) 404 05 82
odessa@aerostar.ua

DNIPRO

49000, 76 Dmytro Yavornytskoho Ave., office 206
tel.: +38 (067) 454 61 84 / +38 (067) 656 62 09
/ +38 (067) 209 57 95 / +38 (067) 650 78 93
dniproperetrovsk@aerostar.ua

HARKIV

61022 str. Ivanivska 1, office 35
tel.: +38 (057) 70 784 85
kharkiv@aerostar.ua

aerostar.ua

